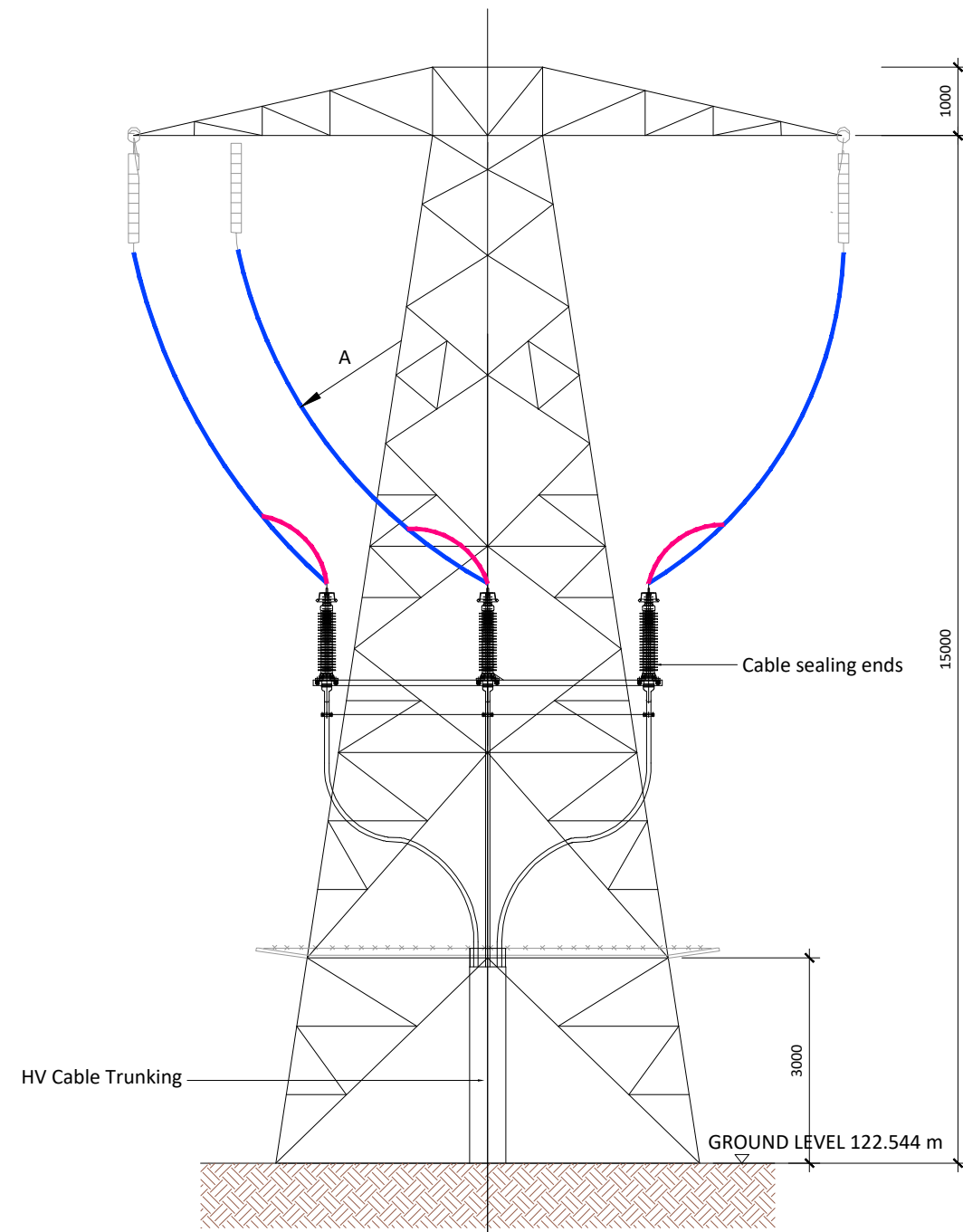
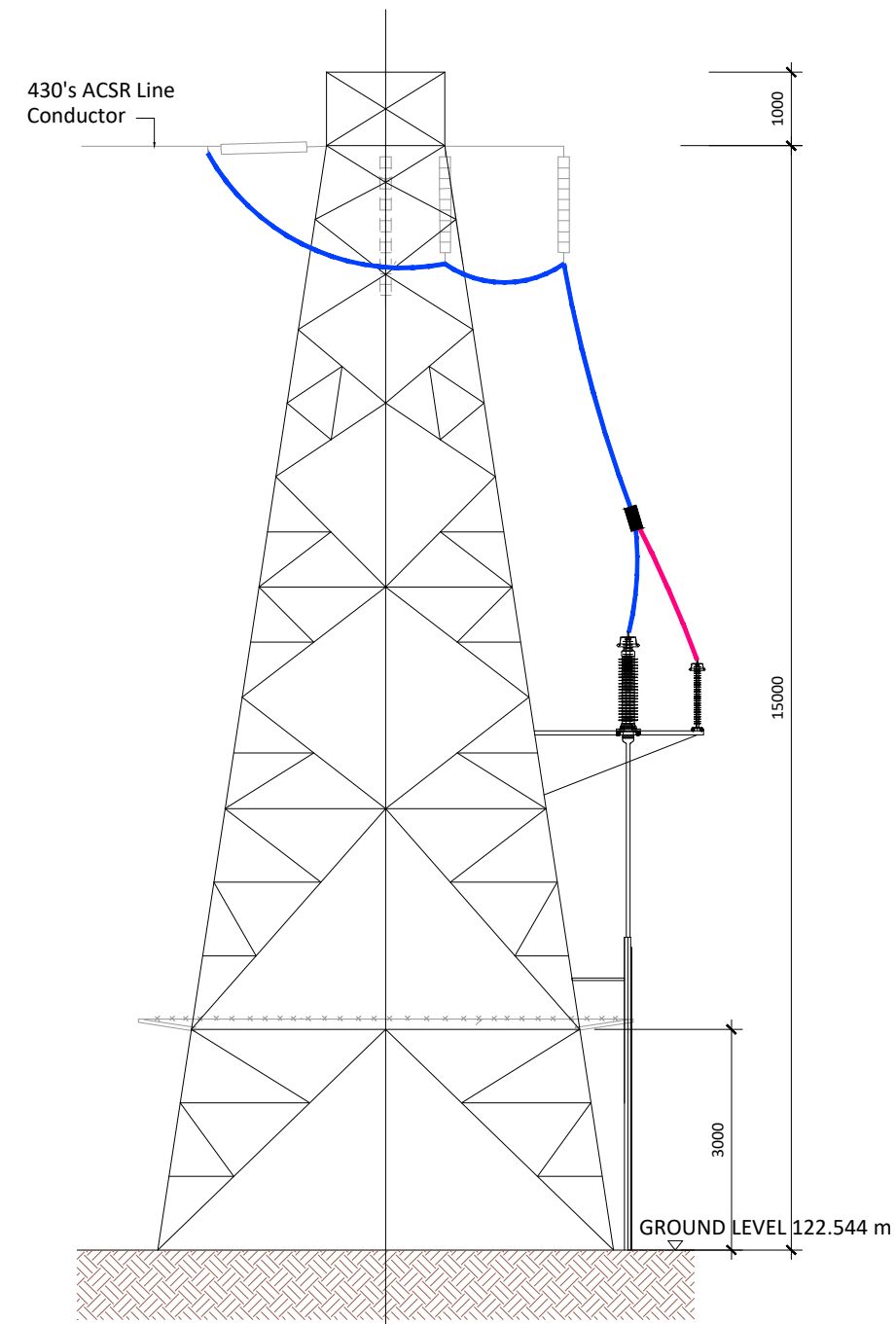


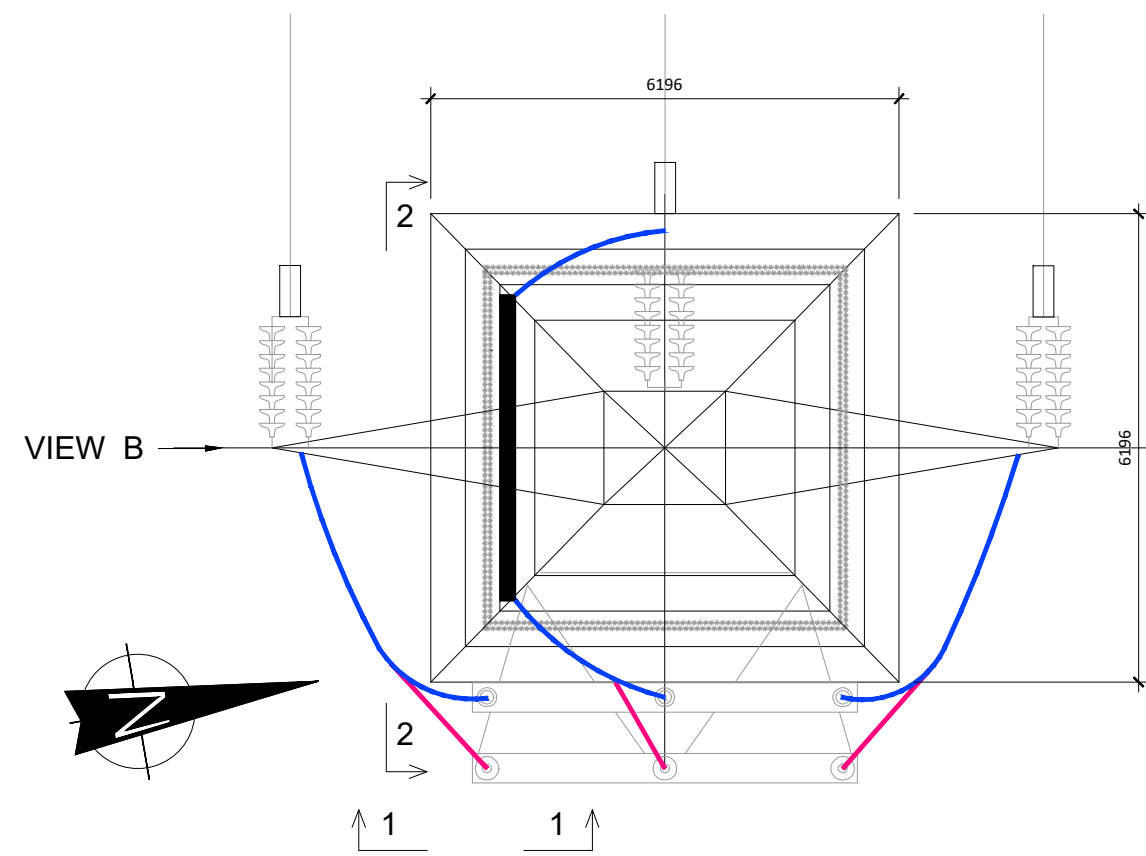
* Please note that Conductors are not shown for clarity of Structure display.



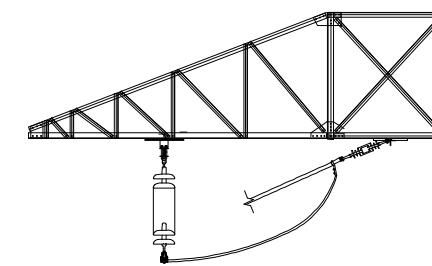
FRONT ELEVATION
(Rear Platform Removed for Clarity)



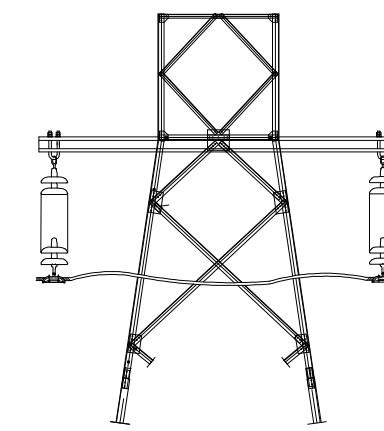
SIDE ELEVATION



PLAN VIEW



ELEVATION 1-1



ELEVATION 2-2

PROJECT

**Clondardis 110kV
Substation**

CLIENT



CONSULTANTS



NOTES: -

- This drawing is to be read in conjunction with relevant engineering drawings, specifications and reports
- Dimensions are in millimeters, unless noted otherwise
- Drawings are not to be scaled use figured dimensions only

LEGEND: -

ISSUE/REVISION

I/R	DATE	DESCRIPTION
P01	21.12.22	For SID Planning
P00	08.09.22	For Pre SID Planning

PROJECT NUMBER

05-916

SHEET TITLE

110kV 15 Meter End Mast
(Type 1493ETLC)

SHEET NUMBER

05916-DR-205