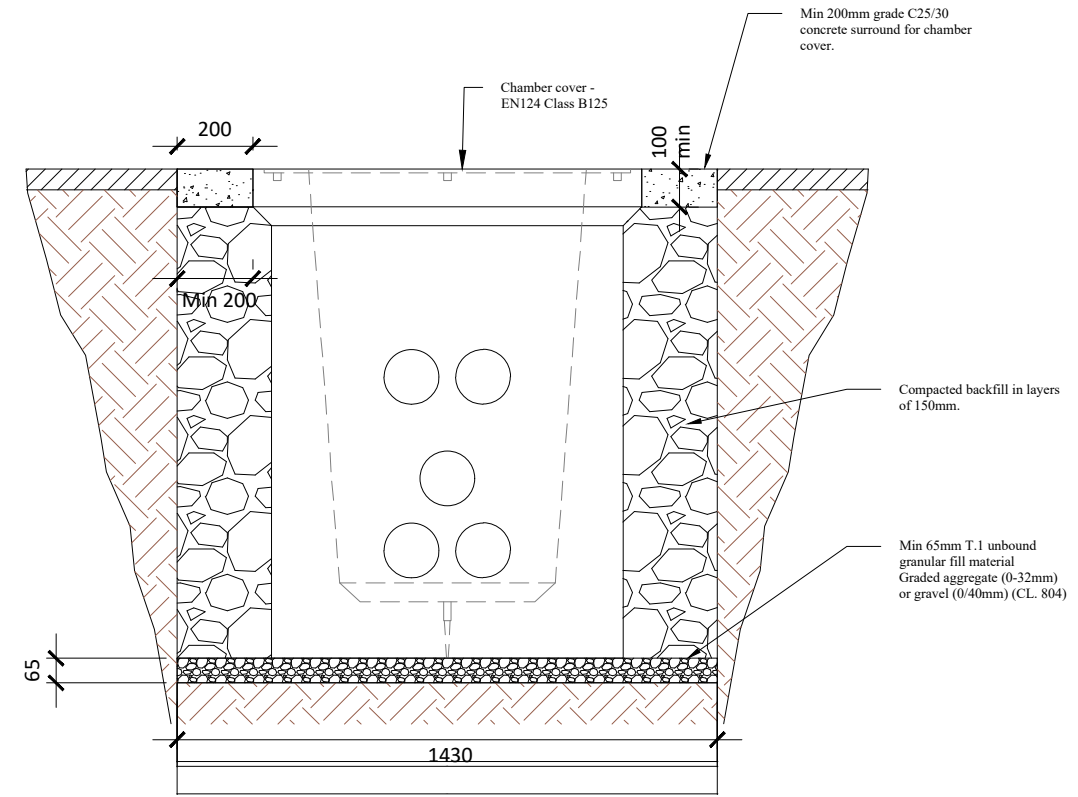
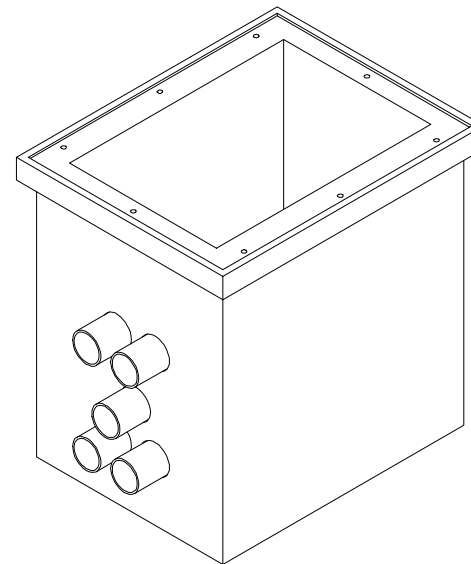


Typical Plan of C2 Chamber
SCALE 1:20



C2 Chamber Detail - Section A
SCALE 1:20



Isometric : C2 Chamber Arrangement
SCALE 1:20

- NOTES:**
- This drawing is to be read in conjunction with relevant drawings, specifications and reports.
 - Drawings are not to be scaled use figured dimensions only.
 - All dimensions in millimetres
 - Reinstatement to comply with requirements of the relevant local authority / asset owner
 - Final position of C2 Chambers shall be agreed with EirGrid.



Head Office
Beenreigh,
Abbeydorney,
Tralee, Co. Kerry
Ireland
Tel: 00353 66 7135710

APPLICANT



PROJECT

Clondardis 110kV
Substation

PROJECT NUMBER
05-916

SHEET NUMBER
05916-DR-212

SHEET TITLE

Typical C2 Chamber Details
General Arrangement

DRAWING STATUS
For SID Planning

ISSUE/REVISION

ISSUE/REVISION	DATE	DESCRIPTION
P00	21.12.22	For SID Planning
I/R	DATE	DESCRIPTION